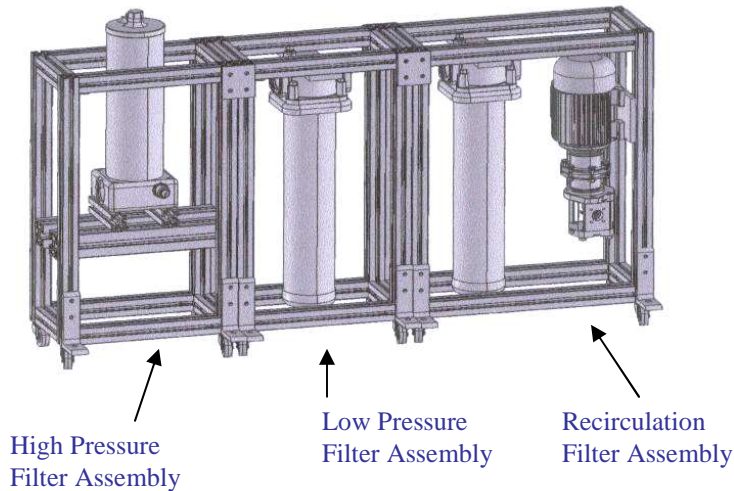


# Standardized Hydraulic Filter Systems

(Based on HF4 Automotive Specification, SAE J2066)

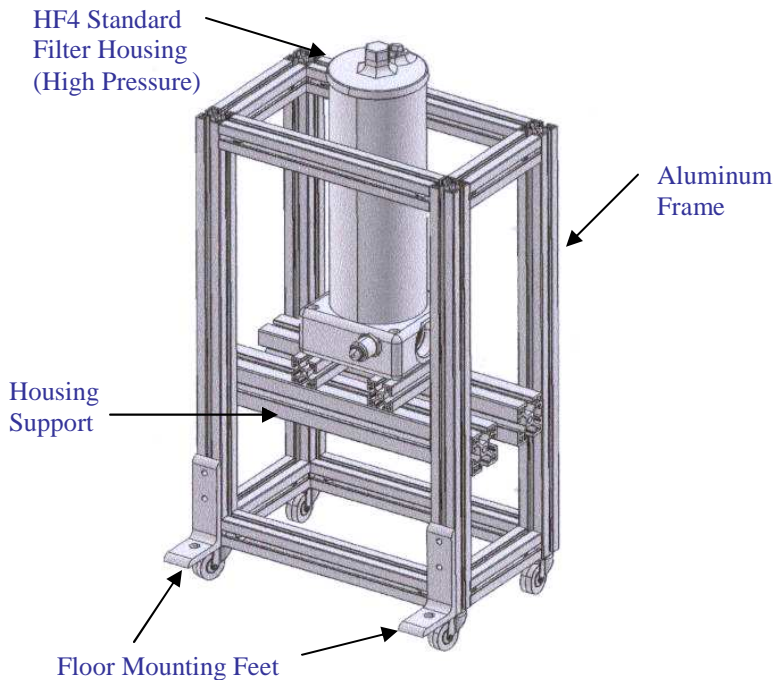
## Complete Package (All Three Units)



### Unique Features

- Minimal Installation Time
  - Just connect hoses
- Dramatically reduce filter inventory by stocking only **ONE** kind of filter.
- Increased M/C Reliability
- Lower your overall cost of operation.
- Mounting Options:
  - Floor
  - On Machine
  - Wall
- Recirculation System can be used as **Mobile Filter Cart**
  - 5 GPM – 20 GPM with included VFD

## High Pressure Filter Assembly



### Specifications

- Filter Element:
    - HF4 Series
    - Visual & Electrical Filter Bypass Indication
  - Construction:
    - Frame: Aluminum
  - Pressure:
    - 3000 Psi
  - Port Connection:
    - SAE – 24
  - Flow Capacity:
    - 9" 50 GPM (STD.)
    - 18" 100 GPM (STD.)
    - 27" 120 GPM (\*)
  - Weight: 100 lbs
- \* Special Order

Hendrix Engineering, Inc.....1414 S. Court Street.....Maryville, TN 37803

Phone: (865) 740-3421 Office/Fax: (865) 681-5023

E-mail: [garret@hendrixengineering.com](mailto:garret@hendrixengineering.com)

[www.hendrixengineering.com](http://www.hendrixengineering.com)

# Standardized Hydraulic Filter Systems

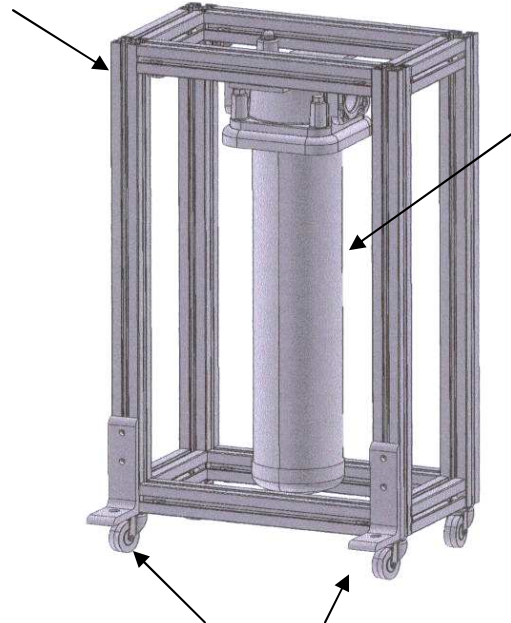
(Based on HF4 Automotive Specification, SAE J2066)

## Low Pressure Assembly

### Specifications

- Filter Element:
    - HF4 Series
    - Visual & Electrical Bypass Indication
  - Construction:
    - Frame: Aluminum
  - Pressure Values :
    - Max. Operating: 300 psig
  - Port Connection:
    - SAE – 24
  - Approximate Flow Capacity:
    - 9” 50 GPM (STD.)
    - 18” 100 GPM (STD.)
    - 27” 120 GPM (\*)
  - Weight: 50 lbs
- \* Special Order

Aluminum  
Frame

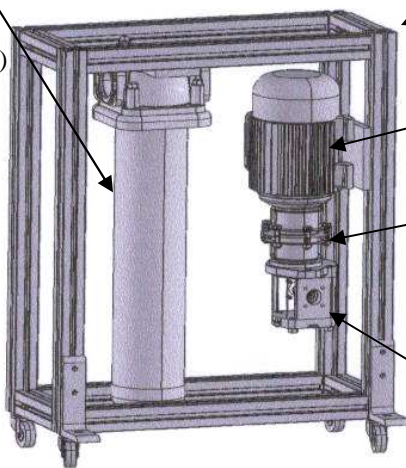


HF4 Standard  
Filter Housing  
(Low Pressure)

Floor Mounting Feet

## Recirculation System/Filter Cart Combo

HF4 Standard  
Filter Housing  
(Low Pressure)



Aluminum  
Frame

Electric Motor

Coupler/Mount

Gear Pump

### Specifications

- Filter Element:
  - HF4 Series
- Flow Rate:
  - 5 GPM – 20 GPM (VFD)
- Electrical Service Required:
  - 120V/1PH/ 60Hz, 5A
- Electrical Motor:
  - 1 HP
  - 3450 RPM, TEFC
- Maximum Fluid Viscosity:
  - 500 SUS (108 cSt)
- Construction:
  - Frame: Aluminum
  - Hoses: PVC
  - Pipes: CPVC
- Weight: 115 lbs

Hendrix Engineering, Inc.....1414 S. Court Street.....Maryville, TN 37803

Phone: (865) 740-3421 Office/Fax: (865) 681-5023

E-mail: [garret@hendrixengineering.com](mailto:garret@hendrixengineering.com)

[www.hendrixengineering.com](http://www.hendrixengineering.com)